



ABATEC

NATURALNIE DLA CIEBIE



Bespoke Sales LTD.
sales@bespokepoolsales.co.uk
(UK) Tel: 1 001268 710425





INDEX

ABOUT	3
PRODUCTS	4
SUMMER JOY	6
SUNNY DELIGHT	8
TROPICAL SUNSHINE	10
EXOTIC SUNSET	12
BLUE HAWAII	14
SECRET ISLAND	16
BLUE LAGOON	18
SEA BREEZE	20
OCEAN WAVE	22
PACIFIC PARADISE	24
SUMMER OASIS	26
PEARL OF SOUTH	28
WOODEN ENCLOSURES	30
TERRACE	31
SOLAR COVERS	32
WINTER COVERS	33
COVERS	34
POOL ACCESSORIES	35
OTHER PRODUCTS	36





TRUST OUR EXPERIENCE

Abatec has been in business for many years, creating the best quality wooden garden pools, the product is executed with great care and passion. When building pools we focus primarily on the needs of our customers, adapting production to the highest expectations in terms of aesthetic, technology and functionality. We also concentrate on the development, investing in new technologies, creating new models of pools and following current trends in Europe.

Many years of experience of our company guarantee the extraordinary quality and durability. Our products are very popular and constantly gaining the interest of new customers.

ADVANCED TECHNOLOGY, NATURAL BEAUTY

Using wood at the time when ecological awareness is still growing, and organic products are widely sought after, makes Abatec perfectly fitting actual trends. It has been known for years, that the wood as an organic material is durable and friendly for the environment. For production of the pools we use carefully selected raw material from certified Baltic and Scandinavian woods. Creating a sustainable and high quality products is our main priority.

Unique technology, and professional production process guarantee high quality. We make sure that the wood processing and further production run perfectly and the final product meets all European standards. Our projects are carried out by experienced, qualified staff, which results with the superior quality of all our products.

OUR OFFER IN THE BASIC VERSION INCLUDES SWIMMING POOLS IN THE SHAPE OF SYMMETRICAL OCTAGON, EXTENDED OCTAGONALS AND RECENTLY INTRODUCED RECTANGULAR POOLS

Offered pool models are effects of years of our hard work. Proposed technical and construction solutions have been constantly improving so finally we can offer superior quality products.

With a variety of pool shapes and sizes, we can provide a product to match any home's architecture. Wooden swimming pools due to the natural material fit perfectly into the garden, beautifully harmonize with the natural surroundings.

Pools may be fully or partially sunk in the ground. You can also leave pool above ground and paint in any colour. This is important especially for families with children.

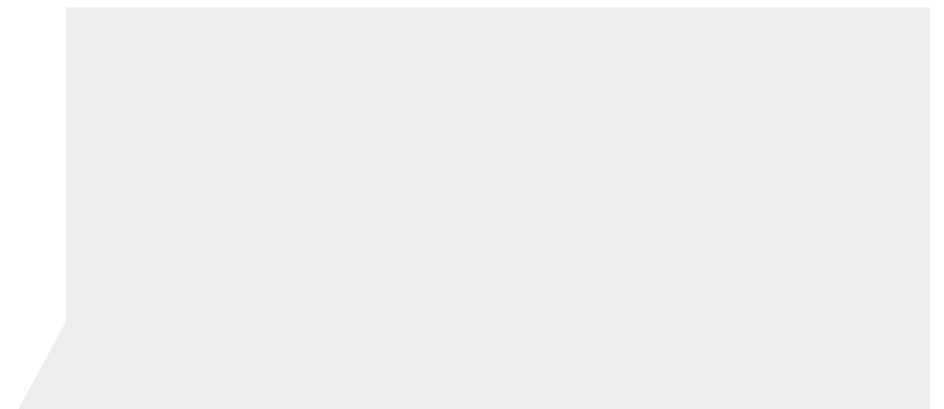
Parents can remove the external stairs to prevent children from accessing the water without their supervision. There are many possibilities, choice depends only on customers wishes and requirements.

Detailed and clear instructions of assembly ensure quick and easy installation of the pool in about two days. Additionally in case of extended octagonal and rectangular pools concrete base is essential.

CONSTRUCTION AND EQUIPMENT

For each pool model stainless steel screws are provided. Special screws are also used for terrace boards for safety purposes.

Ladder steps and terrace boards are made of non-slip high quality, durable materials to ensure the safety of users.



THE BASIC EQUIPMENT INCLUDES:



SAND FILTER, PUMP ADAPTED TO THE SIZE OF THE POOL



LADDER MADE OF STAINLESS STEEL



SKIMMER- DEVICE WHICH MAIN PURPOSE IS TO REMOVE SURFACE CONTAMINATION



RETURN INLET- DEPENDING ON THE POOL MODEL ONE OR TWO INLETS



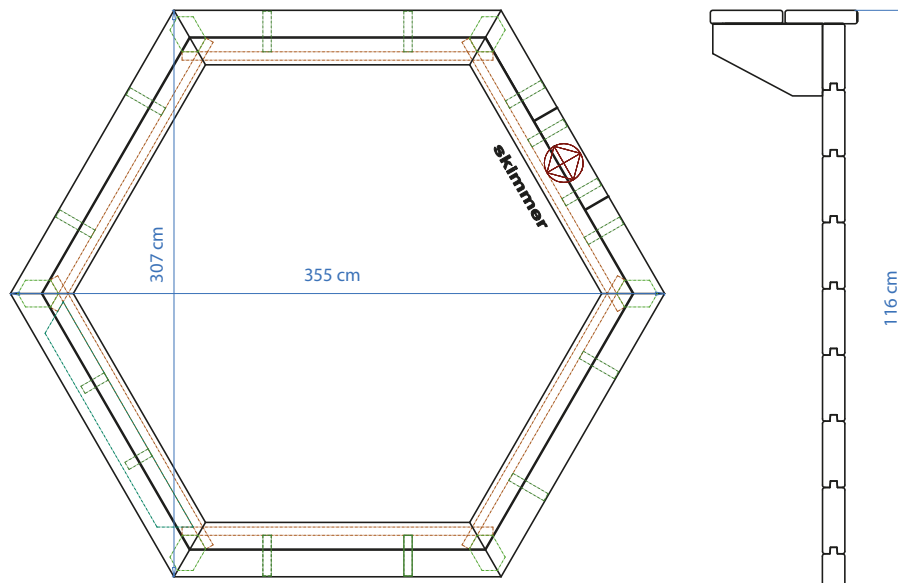
BLUE LINER WITH PROFILES NECESSARY FOR ITS ASSEMBLY



GEOTEXTILE WHICH SEPARATES THE LINER AND THE GROUND

SUMMER JOY

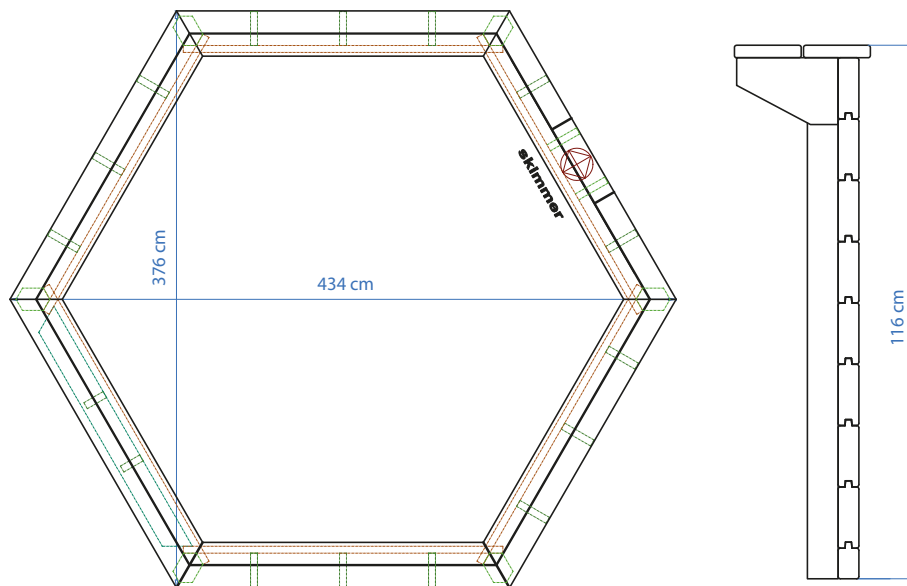




- Water capacity: 5,56 m³
- Material: pine impregnated to Class IV
- Terrace boards thickness: 27 mm
- Stainless steel screws
- Prepared holes for a skimmer and return inlet
- Moveable skimmer board, easy access to the skimmer
- Additional bearer under the ladder
- Wooden, removable, external ladder with anti-slippery steps

SUNNY DELIGHT

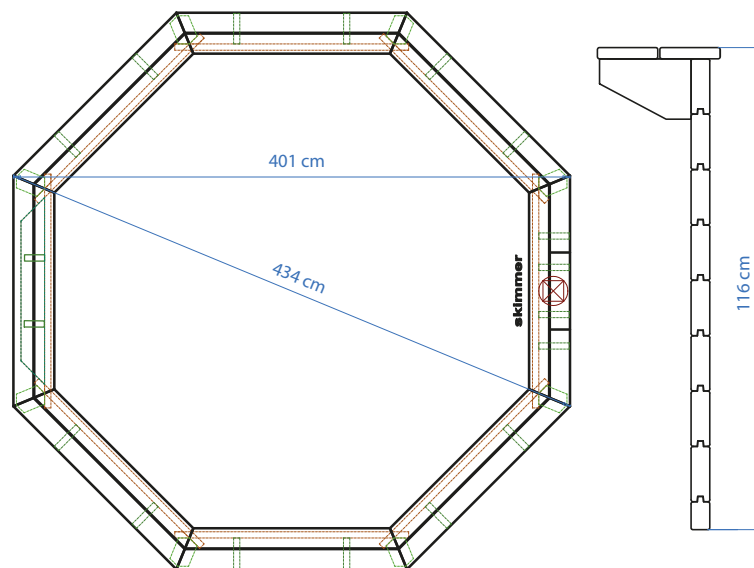




- › Water capacity 8,95 m³
- › Material: pine impregnated to class IV
- › Terrace boards, thickness: 27 mm
- › Stainless steel screws
- › Prepared holes for skimmer and return inlet
- › Moveable skimmer board for easy access to the skimmer
- › Additional bearer under the ladder
- › Wooden, removable, external ladder with anti-slippery steps

TROPICAL SUNSHINE

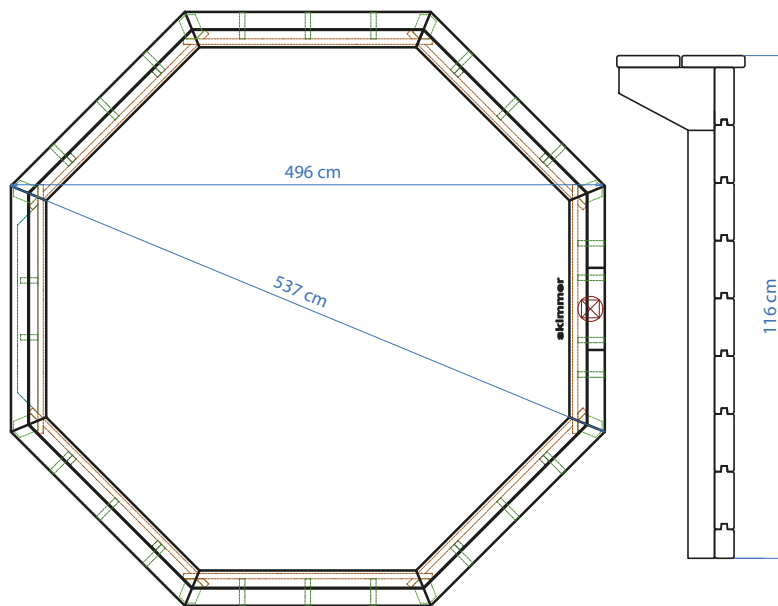




- Water capacity 9,98 m³
- Material: pine impregnated to class IV
- Terrace boards, thickness: 27 mm
- Stainless steel screws
- Prepared holes for skimmer and return inlet
- Moveable skimmer board for easy access to the skimmer
- Additional bearer under the ladder
- Wooden, removable, external ladder with anti-slippery steps

EXOTIC SUNSET

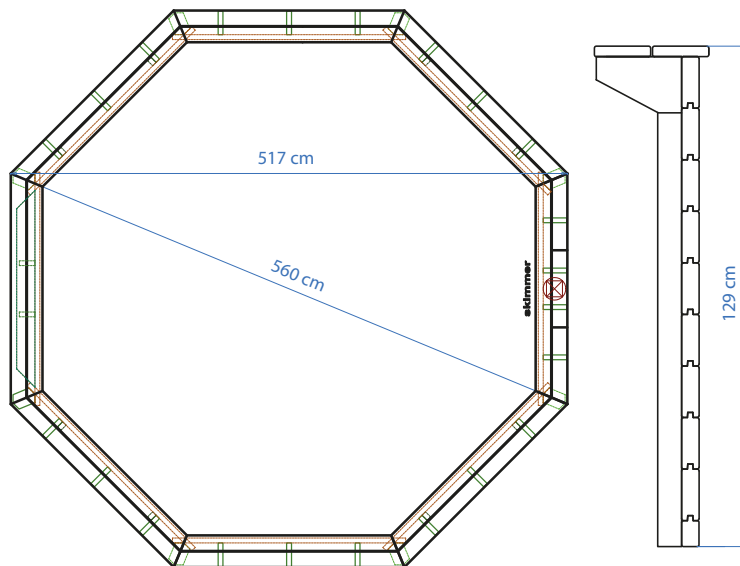




- Water capacity 16,21 m³
- Material: pine impregnated to class IV
- Terrace boards, thickness: 27 mm
- Stainless steel screws
- Prepared holes for skimmer and return inlet
- Moveable skimmer board for easy access to the skimmer
- Additional bearer under the ladder and 8 vertical wall bearers
- Wooden, removable, external ladder with anti-slippery steps

BLUE HAWAII

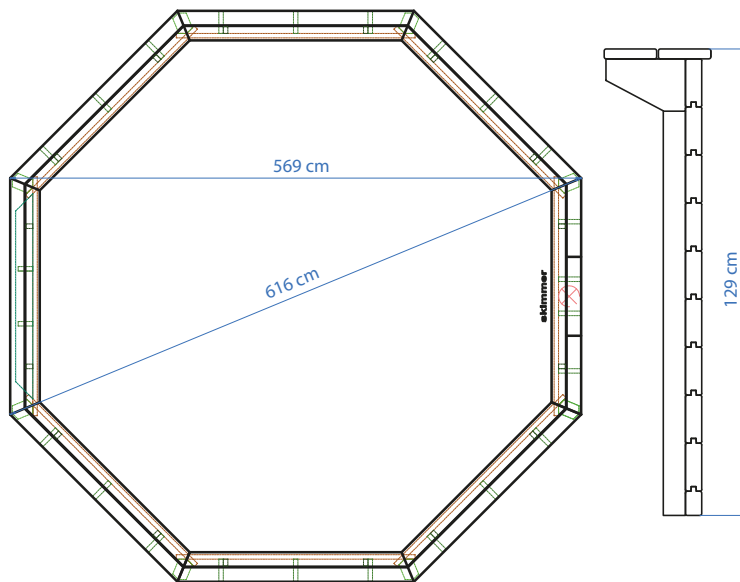




- Water capacity 20,07 m³
- Material: pine impregnated to class IV
- Terrace boards, thickness: 27 mm
- Stainless steel screws
- Prepared holes for a skimmer and return inlet
- Moveable skimmer board, easy access to the skimmer
- Additional bearer under the ladder and 8 vertical wall bearers
- Wooden, removable, external ladder with anti-slippery steps

SECRET ISLAND

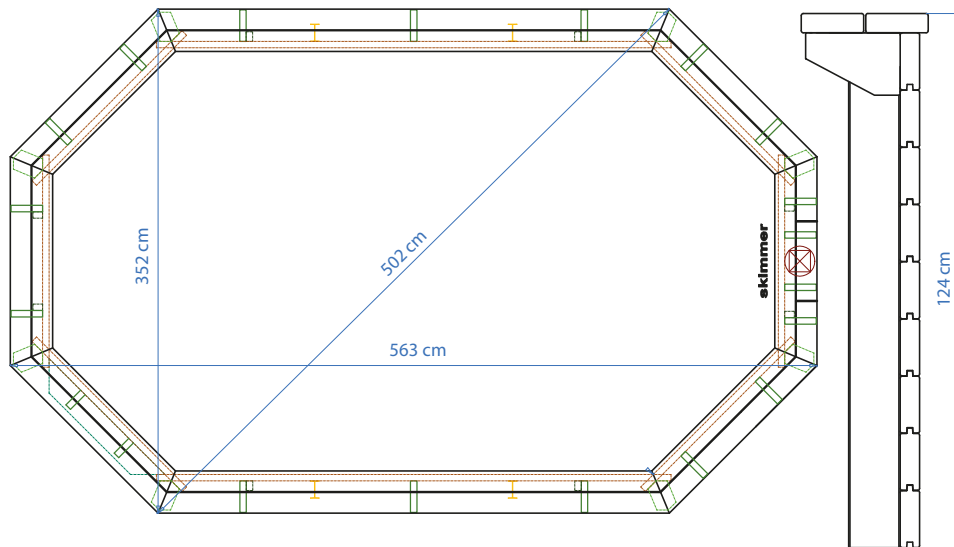




- › Water capacity 23,50 m³
- › Material: pine impregnated to class IV
- › Terrace boards, thickness: 27 mm
- › Stainless steel screws
- › Prepared holes for a skimmer and return inlet
- › Moveable skimmer board, easy access to the skimmer
- › Additional bearer under the ladder and 16 vertical wall bearers
- › Wooden, removable, external ladder with anti-slippery steps

BLUE LAGOON

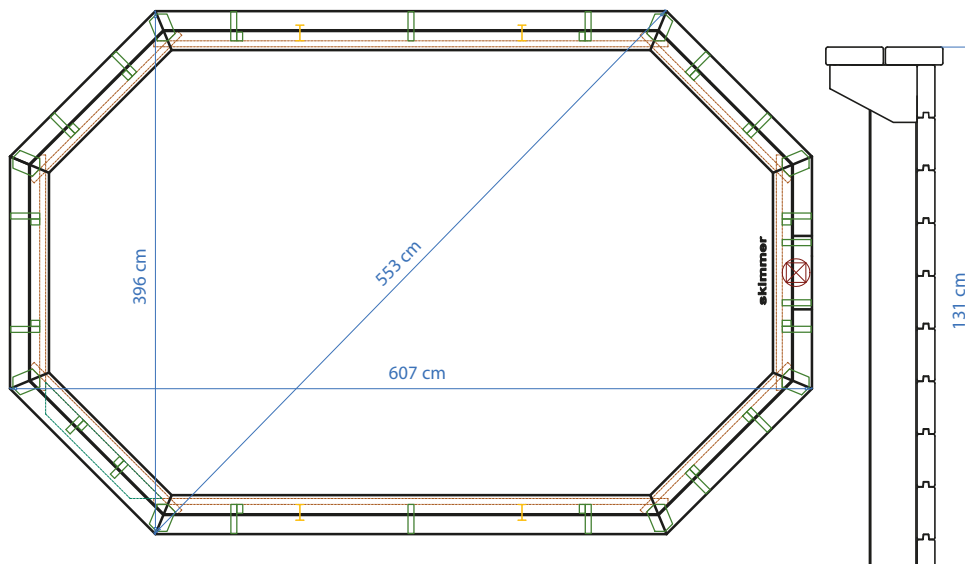




- › Water capacity 14,44 m³
- › Material: pine impregnated to class IV
- › Terrace boards, thickness: 45 mm
- › Stainless steel screws
- › Prepared holes for skimmer and return inlet
- › Moveable skimmer board for easy access to the skimmer
- › Additional bearer under the ladder, 8 vertical, wooden bearers and 4 steel bearers
- › Wooden, removable, external ladder with anti-slippery steps

SEA BREEZE

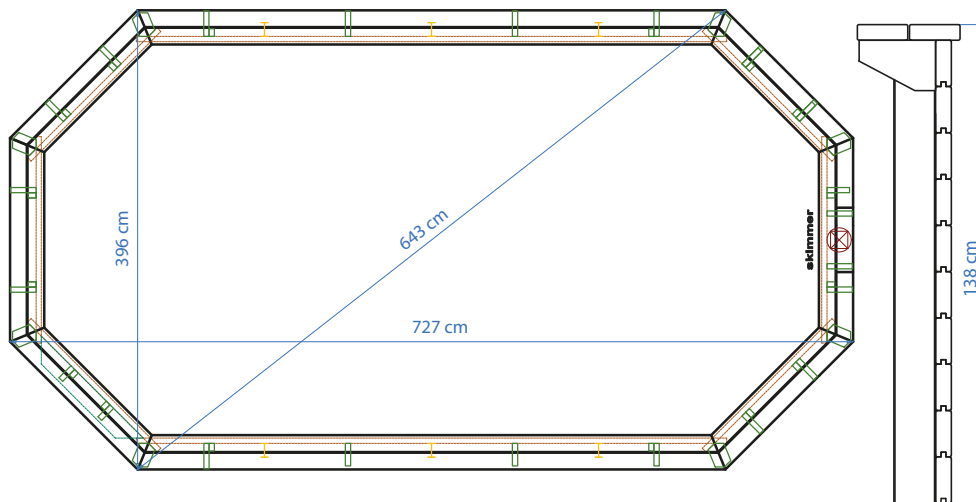




- Water capacity 19,33 m³
- Material: pine impregnated to class IV
- Terrace boards thickness: 45 mm
- Stainless steel screws
- Prepared holes for skimmer and return inlet
- Moveable skimmer board for easy access to the skimmer
- Additional bearer under the ladder, 16 vertical, wooden bearers and 4 steel bearers
- Wooden, removable, external ladder with anti-slippery steps

OCEAN WAVE

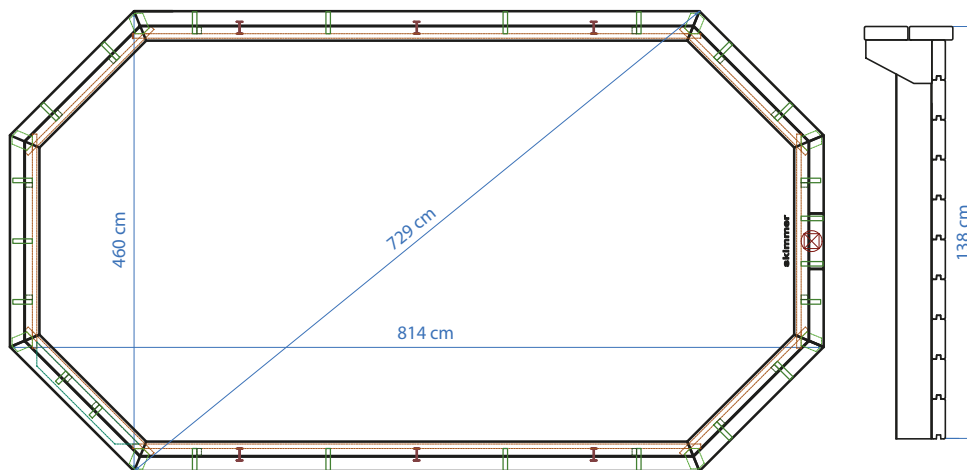




- Water capacity 25,45 m³
- Material: pine impregnated to class IV
- Terrace boards thickness: 45 mm
- Stainless steel screws
- Prepared holes for skimmer and return inlet
- Moveable skimmer board for easy access to the skimmer
- Additional bearer under the ladder, 16 vertical, wooden bearers and 6 steel bearers
- Wooden, removable, external ladder with anti-slippery steps

PACIFIC PARADISE

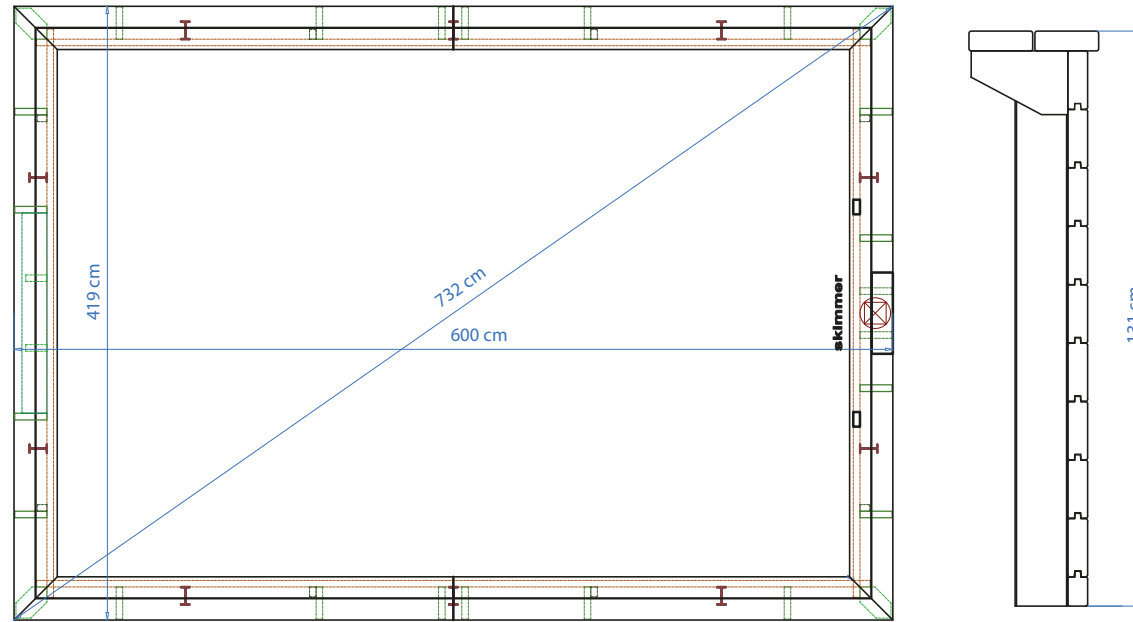




- › Water capacity 34,21 m³
- › Material: pine impregnated to class IV
- › Terrace boards, thickness: 45 mm
- › Stainless steel screws
- › Prepared holes for skimmer and return inlet
- › Moveable skimmer board, easy access to the skimmer
- › Additional bearer under the ladder, 16 vertical, wooden bearers and 6 steel bearers
- › Wooden, removable, external ladder with anti-slippery steps

SUMMER OASIS





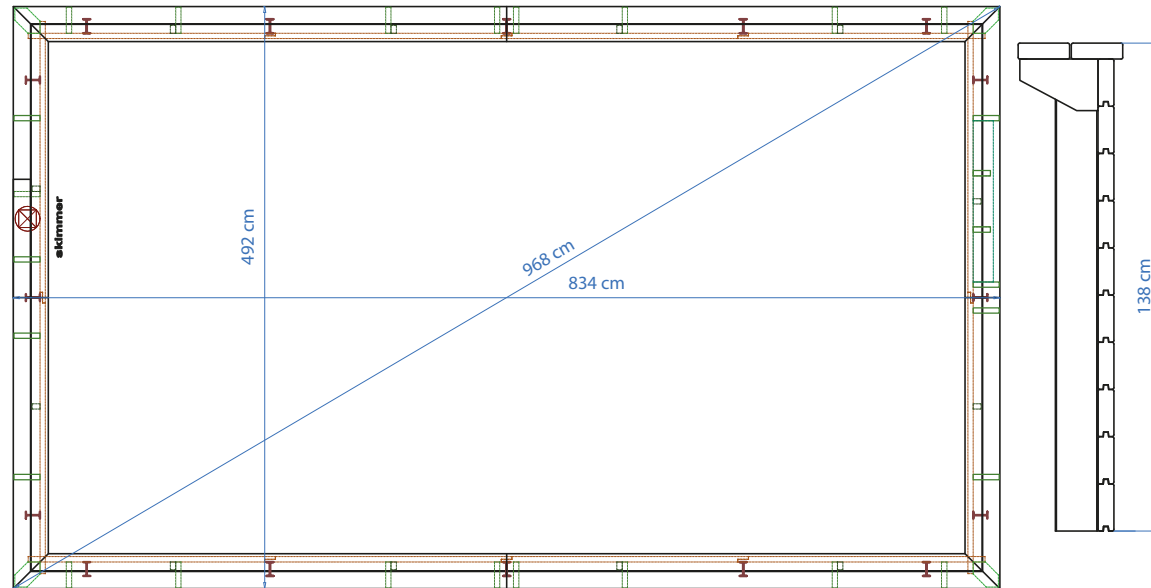
RECTANGULAR SHAPED MODELS

THIS SIMPLE FORM IS NEW IN OUR OFFER

- › Water capacity 22,51 m³
- › Material: pine impregnated to class IV
- › Terrace boards, thickness: 45 mm
- › Stainless steel screws
- › Prepared holes for a skimmer and return inlet
- › Moveable skimmer board, easy access to the skimmer
- › Additional bearer under the ladder, 8 vertical, wooden bearers and 10 steel bearers
- › Wooden, removable, external ladder with anti-slippery steps

PEARL OF SOUTH





RECTANGULAR SHAPED MODELS

THIS SIMPLE FORM IS NEW IN OUR OFFER

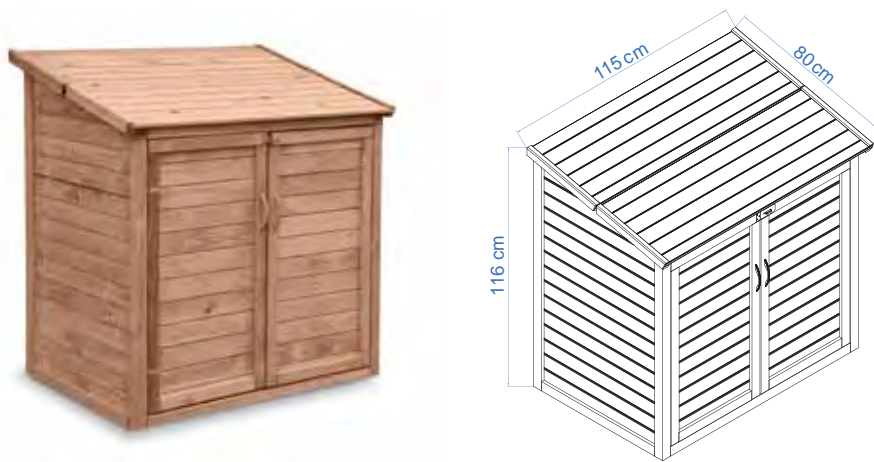
- › Water capacity 40,99 m³
- › Material: pine impregnated to class IV
- › Terrace boards, thickness: 45 mm
- › Stainless steel screws
- › Prepared holes for skimmer and return inlet
- › Moveable skimmer board, easy access to the skimmer
- › Additional bearer under the ladder, 12 vertical, wooden bearers and 16 steel bearers
- › Wooden, removable, external ladder with anti-slippery steps

WOODEN ENCLOSURES

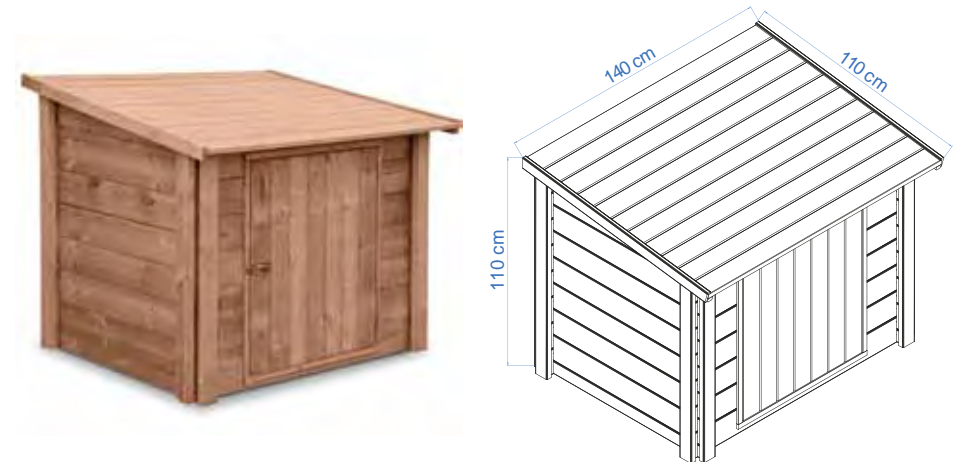
Wooden enclosures are designed to harmonize with the natural surroundings in the garden and visually match the pool. They are used for storing the filtration system. They are intended to protect equipment against damage. It is also the ideal barrier to separate the filter and pump from pets or children.

In the event of any accident it is easy to get access to the equipment through the front door or a top part, which also opens.

In our offer there are standard or professional wooden enclosures. You can select a smaller version that is installed against the pool wall or larger, which can be mounted separately.



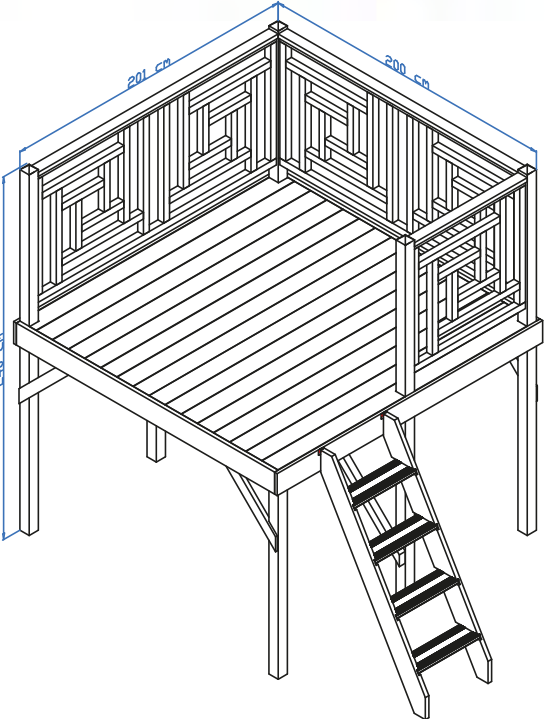
■ STANDARD WOODEN ENCLOSURE (WITHOUT A BACK WALL)



■ PROFESSIONAL LUX WOODEN ENCLOSURE

TERRACE

WOODEN TERRACE PERFECTLY SUPPLEMENTS THE POOL.



SOLAR COVERS

The main feature of solar covers except protecting the pool from contamination is shortening water heating time and reducing water evaporation level.

With favorable weather conditions, especially in bright sunlight, using solar cover causes raising the water temperature by about 6 degrees C.

The use of solar cover also inhibits the growth of algae. This can be achieved with UV filter.

This product is a useful investment at affordable price. The cover is made to measure, so that it fits perfectly the chosen pool size.



WINTER COVERS

Pool covers, used in the winter is a durable material that effectively protects the pool from dirt and weather conditions.

IT IS THE IDEAL POOL PROTECTION FOR THE WINTER.

By using appropriate materials for the pool, they are easy to install and provide high resistance to harsh winter conditions. It is recommended to use this type of cover to have a pool that serves us well for many years.



COVERS

Pool corners covers are available in two versions: **stainless steel or plastic**. Both types are perfect match for the pool and enhance the aesthetic values of the pool.

Covers secure sharp edges of the pool, which is highly needed when users of the pool are children. Another important function is to sustain the stability of terrace boards.



■ STAINLESS STEEL COVER



■ PLASTIC COVER

POOL ACCESSORIES

Our offer is rich in various kinds of pool accessories, the use of which helps to maintain of swimming pool clean. We recommend a set of accessories to the pool or the selection of a single items.

SET OF BASIC POOL ACCESSORIES:

The set contains:



FLOATING CHEMICAL DISPENSER



- STANDARD POOL BRUSH
- THERMOMETER
- POOL VACUUM CLEANER
- PH TESTER
- POOL NET (FOR REMOVING OBJECTS FROM THE BOTTOM OF THE POOL)

PERFECTLY COMPLEMENTS THE SET OF ACCESSORIES:



TELESCOPIC POLE
3,60 M



POOL NET



POOL BRUSH



BRUSH



FLOATING POOL THERMOMETER

OTHER PRODUCTS

In addition to the pools, we also offer our other products.

WE INVITE YOU TO SUBMIT QUESTIONS ABOUT ROOFS, DECKING, PINE PLANTERS AND OTHERS.



PICTURES USED IN THE CATALOGUE ARE ONLY EXAMPLES OF
ELEMENTS OF THE EQUIPMENT. THE APPEARANCE OF PARTS MAY
DIFFER FROM WHAT IS PRESENTED.

POOLS AND OTHER WOODEN ELEMENTS ARE DELIVERED UNPAINTED.





ABATEC SP. Z O.O.

Norwida 31, 76-200 Słupsk, Poland

+48 59 84 56 333 / +48 59 84 56 334

E-mail: biuro@abatec.pl / www.abatec.pl



Bespoke Sales LTD.
sales@bespokepoolsales.co.uk
(UK) Tel: 1 001268 710425

